

Barbasol[®]

Rechargeable T-Blade Pro Trimmer & Detailer



USE AND CARE GUIDE

(For model:CBT1-6003)

Manufactured under exclusive license of Perio Inc.© Barbasol

PLEASE RETAIN THIS USE & GUIDE FOR FUTURE REFERENCE

WARNING/IMPORTANT

1. Read the use and care guide thoroughly before using the device.
2. Use the trimmer only for purposes described in this use and care guide.
3. For hygienic reasons, the shaver should not be shared with others.
4. If signs of damage are visible, do not use trimmer and notify email support at support@barbasolelectric.com.
5. Do not use if skin is red, irritated, inflamed, infected or blistered.
6. This trimmer is for household use only.
7. Do not place or store the trimmer in direct sunlight. Store only in a cool, dry place.
8. Keep the trimmer out of reach of children.
9. During charging keep trimmer away from water or moisture.
10. Always switch off the trimmer before putting it down and between cutting.
11. Do not pull on the cable. If the cable should become damaged, contact the Service Department. The battery charging stand can be ordered as a spare part.
12. Do not allow the cable to come into contact with hot surfaces.
13. Do not touch the moving blades while the clipper is switched on.
14. Do not use the clipper if the cutter set is damaged or broken, otherwise injuries could occur.

HOW TO USE THE TRIMMER

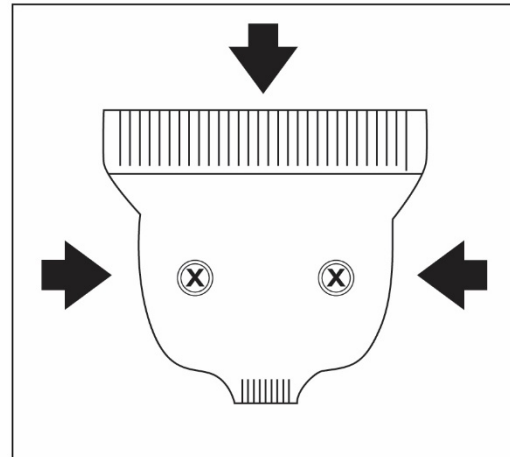
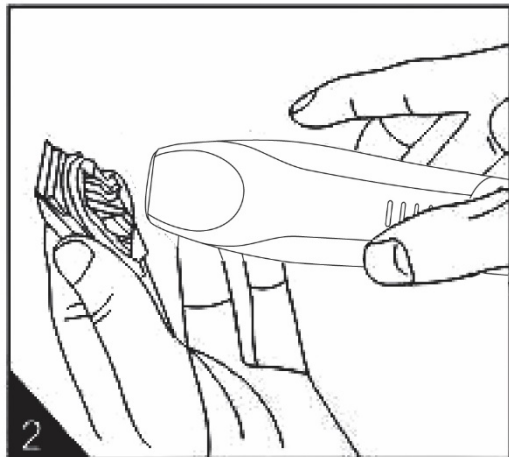
1. Please charge appliance prior to use.
2. Insert the plug of the battery charging stand into a socket. Warning! This appliance must be charged at the specified voltage! You can store the remainder of the charging stand. In order to charge the appliance, it should be placed in the battery charging stand so that the control lamp lights up. While the appliance is being charged, the switch must be set at "0" (the "0" must be visible). A charging period of 16 hours is required before initial use. Take care to keep the charging contacts clean. Overcharging of the appliance is not possible.
3. After charging the appliance is ready for use. It can be used with or without the guide comb attachment. To attach the guide comb slide it onto the cutting head until it clicks into position. The appliance must be switched off while the guide comb is being attached or removed.

4. The guide comb is easily adjustable. Simply slide it up or down the cutting head. The hair can be cut to 4 different lengths ranging from approximately 3mm to 6mm. The position of the clip-on comb attachment on the cutting head determines the length of the haircut.

5. After using the appliance, switch it off and replace it in the battery charging stand. To be recharged the control lamp must light up. In order to retain the load capacity of the storage battery we recommend using the storage battery until it is empty before reloading.

REPLACING THE CUTTING HEAD

Make sure to switch the appliance off before replacing the cutting head. If the performance of the appliance deteriorates after extended use, despite regular cleaning and maintenance, the cutting head should be replaced. First remove the hexagonal screw on the cutting head by using the hexagonal spanner attached to the charging stand and remove the old cutting head. It is important to remove the screw before the cutting head. Place the new cutting head on the main body of the appliance and screw in place with the spanner.



CLEANING AND MAINTENANCE OF THE APPLIANCE

Switch the appliance off before cleaning or maintaining. In order to ensure the appliance remains in perfect working condition, please note the following instructions: In order to retain the load capacity of the storage battery we recommend using the storage battery until it is empty before reloading. Wipe the appliance with a cloth only (slightly damp if necessary). Do not use solvents or lubricants. After use take off the clip-on comb attachment and remove and residual hair from the cutting head with the cleaning brush. In order to ensure good cutting results and a long life, it is important to oil the cutting head frequently.

GUARANTEE

This appliance is guaranteed against defects for a period of half a year from purchase. During that period, the purchaser is entitled to free of charge correction of any defect. This guarantee excludes defects caused by improper handling during use or normal wear and tear.

ENVIRONMENTAL PROTECTION

The battery within this trimmer is equipped with contained substances which may result in environmental pollution.

Do not dispose of the trimmer with household waste. Please recycle at a local recycling center for proper disposal.



2-Year Limited Warranty

Questions: call toll-free at (844)-777-9601

Email Support: support@barbasolelectric.com

This product is covered under warranty for a period of 2 years from the purchase date. Improper use or failure to follow this use and care guide will void the warranty.

Do not return to the store. Please send a proof of purchase, return label with your name and address, along with a check for \$4.95 to cover shipping and handling. Please allow 6-8 weeks to process your return.

Make check payable to Xtreme Personal Care, Inc.

Clip & Return to:

Xtreme Personal Care

32 Brunswick Ave.

Edison NJ 08817

Attention: Customer Service

Customer Name _____

Return Address _____

Date Purchased _____

Store _____

Brief Description of Issue _____